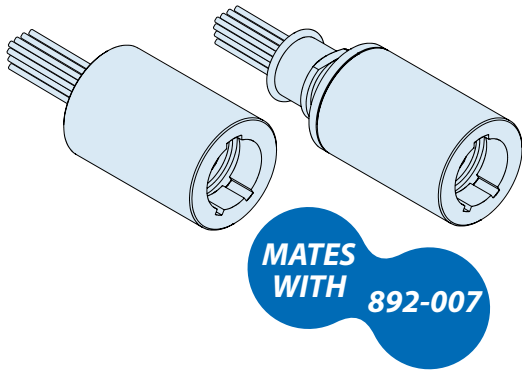


# 892-004 Circular Breakaway, Inline Receptacle Connector with Insulated Wire



### Glenair Inline Breakaway Receptacle Connectors

feature gold alloy TwistPin contacts, offering premium performance and reliability for demanding applications. Available with or without backshell, overmolded or shrink boot.

**Choose Aluminum or Stainless Steel Shells** in 6 layouts from 4 to 55 contacts. These connectors are intermateable with nanominiature plug connectors 892-007.

How To Order Circular Nano Connectors	
<b>Sample Part Number</b>	<b>892 -004 -02 1-7 N A2 -0 A 7 -12</b>
<b>Series</b>	<b>892</b> - Nano Circular with Insulated Wire
<b>Shell Style</b>	<b>004</b> - In-Line Breakaway Receptacle
<b>Accessory</b>	<b>01</b> - No Backshell <b>02</b> - With Backshell <b>03</b> - Overmolded <b>04</b> - Shrink Boot
<b>Shell Size/Contact Arrangement</b>	<b>1-4</b> - Shell Size 1 with 4 contacts <b>3-37</b> - Shell Size 3 with 37 contacts <b>1-7</b> - Shell Size 1 with 7 contacts <b>4-44</b> - Shell Size 4 with 44 contacts <b>2-19</b> - Shell Size 2 with 19 contacts <b>4-55</b> - Shell Size 4 with 55 contacts See Table I
<b>Polarization</b>	<b>N</b> - Normal <b>A</b> - Alternate
<b>Shell Material/Finish</b>	<b>A2</b> - Aluminum/Electroless Nickel <b>S1</b> - Stainless Steel/Zinc Cobalt (Black) <b>A5</b> - Aluminum/Gold Over Nickel <b>S2</b> - Stainless Steel/Passivated
<b>Wire Gauge</b>	<b>0</b> - 30 AWG <b>-2</b> - 32 AWG
<b>Wire Type</b>	<b>A</b> - Ultralightweight XLETFE insulation, silver coated ultrahigh strength copper <b>B</b> - Extruded PTFE insulation, silver-coated copper NEMA HP3-ETX (MIL-W-16878/6) <b>C</b> - Cross linked modified ETFE insulation, silver coated high strength copper. MIL-W-22759/33 (not available in #32 AWG)
<b>Wire Color</b>	<b>1</b> - White <b>2</b> - Yellow <b>7</b> - 10 Color repeating (Wire type <b>A</b> is striped, types <b>B</b> and <b>C</b> are solid colors)
<b>Wire Length (Inches)</b>	<b>12</b> = 12.00 + 1.00 Inches

Table I: 892 Circular Receptacle Mating Face Views					
Size 1-4 4 Contacts	Size 1-7 7 Contacts	Size 2-19 19 Contacts	Size 3-37 37 Contacts	Size 4-44 44 Contacts	Size 4-55 55 Contacts

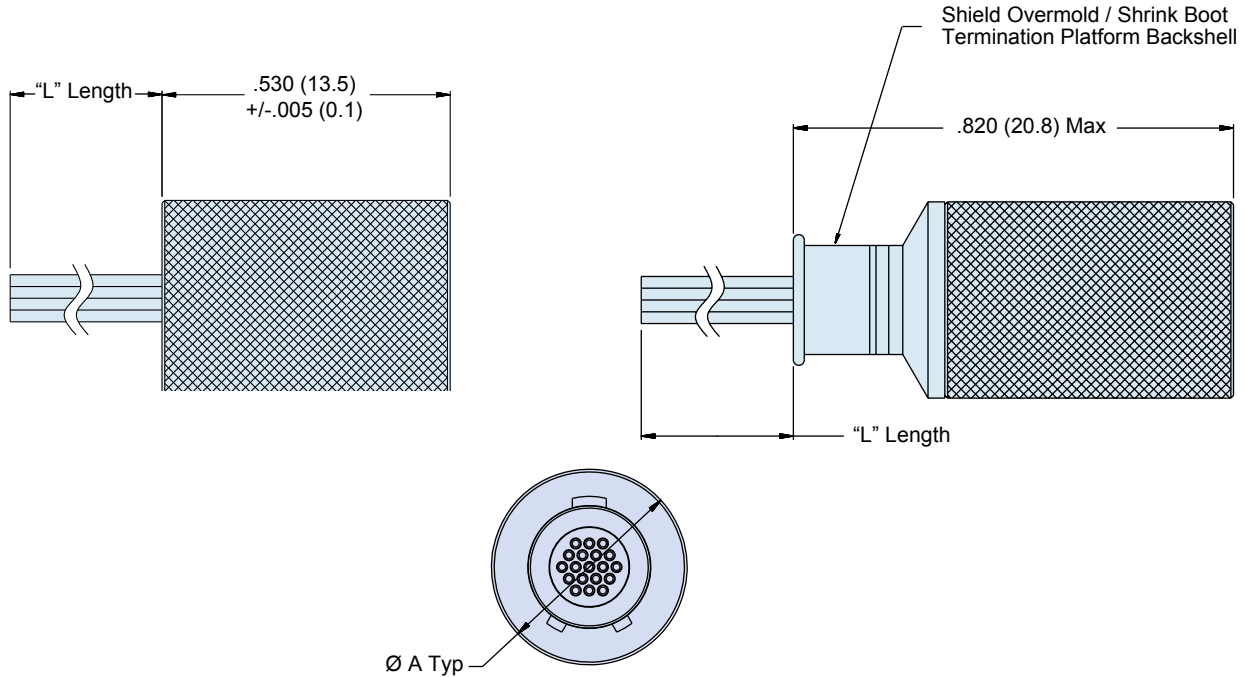
Dimensions in inches (millimeters) and are subject to change without notice.

# 892-004 Circular Breakaway, Inline Receptacle Connector with Insulated Wire

Table II: Dimensions

892-004-01 Without Termination Platform

892-004-02 With Termination Platform



Size	Ø A +/- .005
1-4	.310 (7.9)
1-7	.310 (7.9)
2-19	.360 (9.1)
3-37	.411 (10.4)
4-44	.443 (11.3)
4-55	.443 (11.3)

**Material/finish:**

- Shell/spanner nut/backshell - see part number breakdown
- Insulator - LCP/na
- Socket contacts - gold alloy
- O-rings - fluorosilicone/na
- Internal latching spring - stainless steel/gold plate

Dimensions in inches (millimeters) and are subject to change without notice.